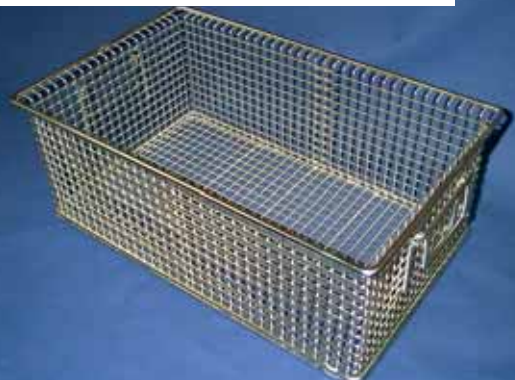


Cleaning-baskets & accessories



Contact in Cleaning Department

Jürgen Rieth - Sales Manager

- Standard - workpiece basket programme
- General wire products

Phone: +49 (0) 7045 982-45

Mail: j.rieth@mk-koegel.de



Bernd Stelzer - Sales Manager

- Standard - workpiece basket programme
- Workpiece holders
- Technical advising

Phone: +49 (0) 7045 982-33

Mail: b.stelzer@mk-koegel.de



Kögel GmbH in Oberderdingen



The Company

It started in 1948 with the manufacturing of potato baskets made of wire. Today, since over 50 years our success is based on the special knowledge about the sure handling of metal and the feel of the market.



On over 10.000 sq.metre Kögel is producing metal parts of all sorts on an up-to-date machinery. On the one hand as a manufacturer, on the other hand as a creative developer. With clever system-solutions Kögel has developed as a well-known partner for several industries like medical technology, the building industry, the food industry, logistic and storage industry and the industrial workpiece cleaning.



Since decades, Kögel wire baskets and working part holders are implemented in cleaning machines. With our RK-basket system for storage, transport and cleaning, your cleaning plant can be used high-efficiently.

The baskets of round-wire are ideal for all wash media and all procedures. Due to a reduced cleaning media transfer and a non-permeable construction of the machines, only little shielding and because of a sturdy design, our baskets and boxes are used in many plants.

Out of combinable wash-baskets with various mesh sizes and dimensions a complete system has been created being used.

A large number of accessories like size/height adapters, roller-plates, sign-holder for the workpiece identification or row subdivi-

ders are part of our product-range. For the attachment of small parts as bulk-material various kinds of bulk-material baskets or small part baskets including accessories are available. Mesh-sizes of 0.5 mm up to 8.0 mm can be realised.

Workpiece specific basket inlays like row racks, prism racks and plug-in racks for the optimal fixation of special parts are designed in cooperation with our clients. So sensitive parts can be attached and loaded/reloaded by automatic systems.

For smaller lot-sizes or for washing attempts the flexible basket system FRK is available.

A washing basket or working parts holder for bulk materials, placed pieces or even both, can be designed by the customer himself based on a special size by a building-block-principle.

Even combinations of sheet metal and wire are no problem for us. Our complete programme is available in refined steel 1.4301, in pickled or e-polished design, zinc-plated, zinc/chromium plated, nickel-plated, chromium-plated etc.

For the careful attachment of workpieces and as a distinctive feature of the baskets we provide materials like polyethylene, polyamide 12, teflon and halar.

We are dealing day by day with special solutions for workpiece specific attachments, baskets of special size and even transport trolleys with docking systems for conveyors.

With our great range of products we are a competent business partner in solving your problems concerning cleaning storage or logistics of industrial parts.

**Transport-Basket
Workpiece-Basket
Cleaning-Basket**

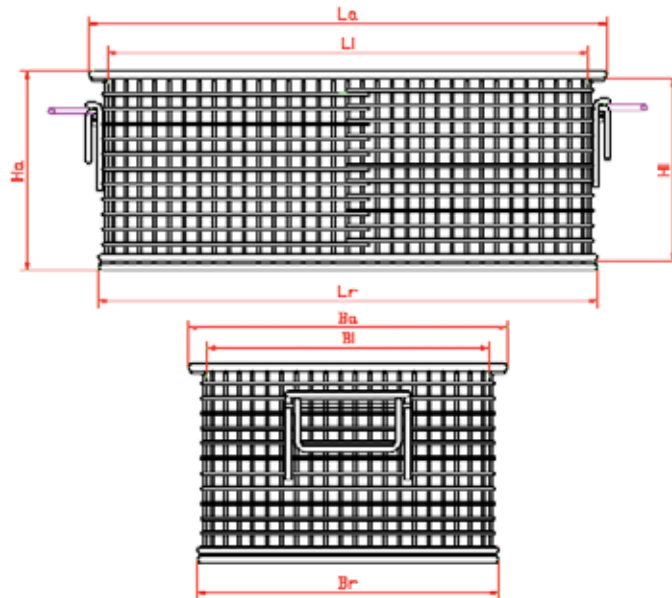


Stainless steel 1.4301, e-polished

RK-Basket-System for bulk material or single pieces

- Very suitable for the operation in cleaning- and drying plants
- Only small cleaning media transfer and therefore cost-saving
- Compatible with all usual sheet-metal and wire-baskets
- Wire-baskets of a sturdy construction
- Available in standard design
- Special sizes and special design on request

- Fitted with lock and key, adjustable in height, combinable with the following accessories: Bearing Plate (AD), Cover-Plate (VD), Inlay (EB), Clamping-Plate (SD)
- Inlay for bulk material baskets (SGK) for smallest parts (in several-mesh-sizes)



Technical Data

Standard RK-System	Mesh-size MS (mm)	Dimensions (external) LxWxH	Dimensions (internal) LxWxH	Dimensions (batch-edge) LxWxH	Volume (litre)	Basket-weight (kg)	Weighting (kg)
RK-380/6-200	6 x 6	371 x 221 x 200	334 x 185 x 180	352 x 203	11,1	3,7	40 - 50
RK-380/13-200	13 x 13	371 x 221 x 200	334 x 185 x 180	352 x 203	11,1	3,1	40 - 50
RK-480/7-200	7 x 7	471 x 321 x 200	434 x 285 x 180	452 x 303	22,1	3,2	50 - 60
RK-480/13-200	13 x 13	471 x 321 x 200	433 x 284 x 180	452 x 303	22,1	3,2	50 - 60
RK-530/7-200	7 x 7	521 x 321 x 200	484 x 285 x 180	501 x 301	24,8	5,3	50 - 60
RK-530/13-200	13 x 13	521 x 321 x 200	483 x 284 x 180	501 x 301	24,7	4,9	50 - 60
RK-670/7-300	7 x 7	651 x 471 x 300	614 x 432 x 280	631 x 451	74,2	9,1	70 - 80
RK-670/13-300	13 x 13	651 x 471 x 300	613 x 431 x 280	631 x 451	74,4	8,3	70 - 80
RK-670/28-300	13 x 13	651 x 471 x 300	613 x 431 x 280	631 x 451	74,4	8,3	70 - 80

**Transport-Basket
Workpiece-Basket
Cleaning-Basket**

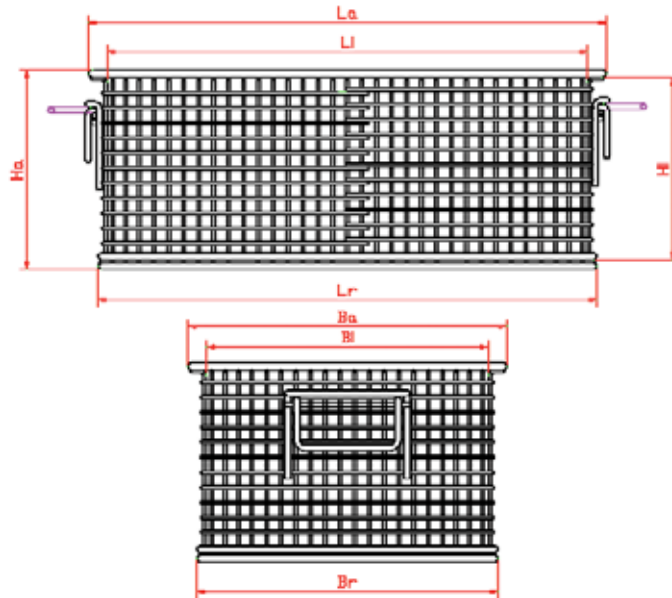


Stainless steel 1.4301, e-polished

RKS-Basket-System for bulk material or single pieces

- Very suitable for the operation in cleaning- and drying plants
- Only small cleaning media transfer and therefore cost-saving
- Compatible with all usual sheet-metal and wire-baskets
- Wire-baskets of a sturdy construction
- Available in standard design
- Special sizes and special design on request

- Fitted with lock and key, adjustable in height, combinable with the following accessories: Bearing-Plate (AD), Cover-Plate (VD), Inlay (EB), Clamping-Plate (SD)
- Inlay for bulk material baskets (SGK) for smallest parts (in several-mesh-sizes)



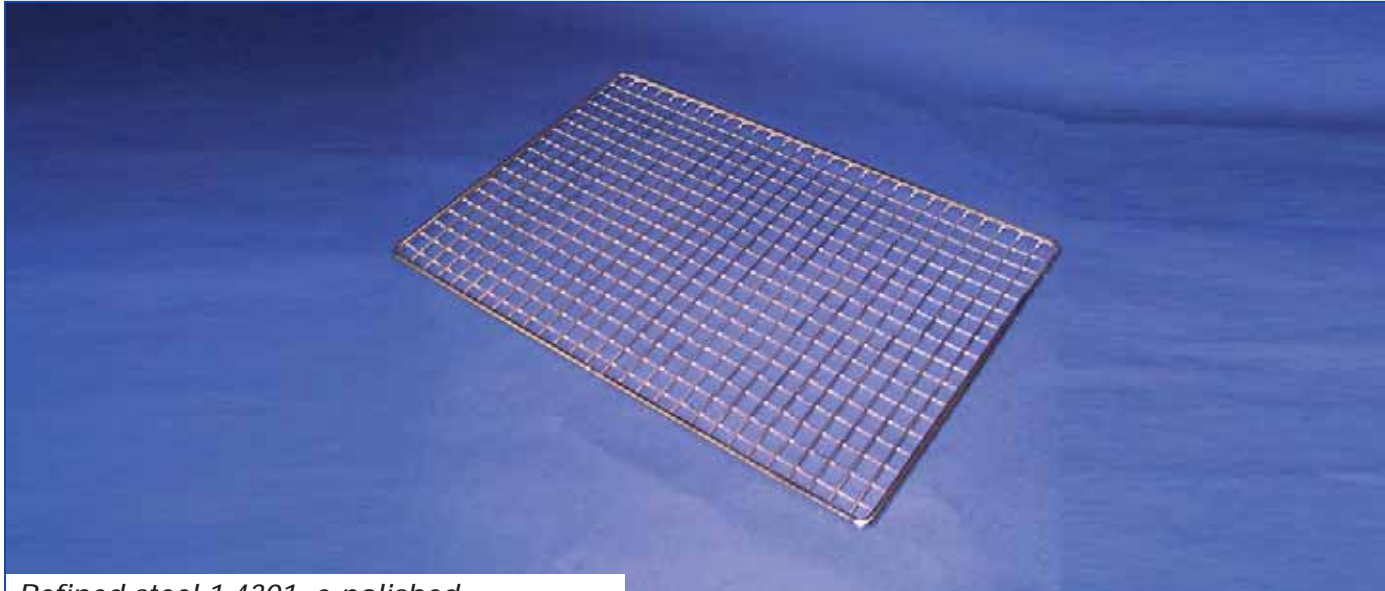
Technical Data / RKS Range

Standard RK-System	Mesh size (mm) 0,5/1/2/3/4/5	Dimensions (exterior) L x W x H	Dimensions (interior) L x W x H	Dimensions (edge of stack) L x W x H	Volume (litre)	Basket weight	Load (kg) - even distribution over surface
RK-380/... -200	0,5/1/2/3/4/5	371 x 221 x 200	331 x 182 x 178	352 x 203	11.1	3.7	40 - 50
RK-480/... -200	0,5/1/2/3/4/5	471 x 321 x 200	431 x 282 x 178	452 x 303	22.1	4.9	50 - 60
RK-530/... -200	0,5/1/2/3/4/5	521 x 321 x 200	481 x 282 x 178	501 x 303	24.8	5.3	50 - 60 **
RK-670/... -300	0,5/1/2/3/4/5	651 x 471 x 300	611 x 429 x 286	631 x 451	74.2	9.1	70 - 80 **
RK-400/... -200	0,5/1/2/3/4/5	408 x 308 x 200	363 x 263 x 178	389 x 289	17.0	4.2	50 - 60
RK-600/... -300	0,5/1/2/3/4/5	608 x 408 x 300	563 x 363 x 278	589 x 389	56.8	6.5	70 - 80

** Available ex Stock

General tolerances on dimensions are in accordance with DIN ISO 2768c.
400 kg max load on edge of stack.

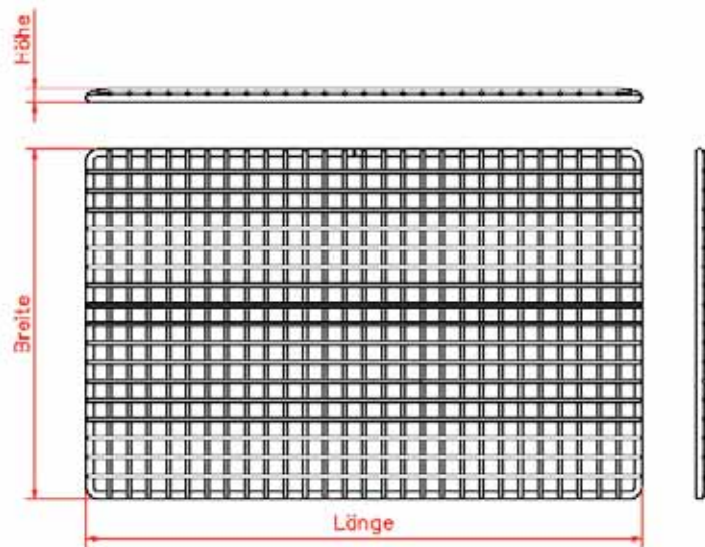
Inlay-Plate (IP)



Refined steel 1.4301, e-polished

RK-Basket-System accessories

- For the superimpose of several layers to avoid damages
 - Reduces cleaning-media transfer, therefore cost-saving
 - Combinable with following accessories: Cover-Lid (CL)
 - Sturdy and durable wire-construction
 - Available in standard design
 - Special sizes and special design on request
-
- In combination with the Clamping-Cover (CC) as closure of the upper basket



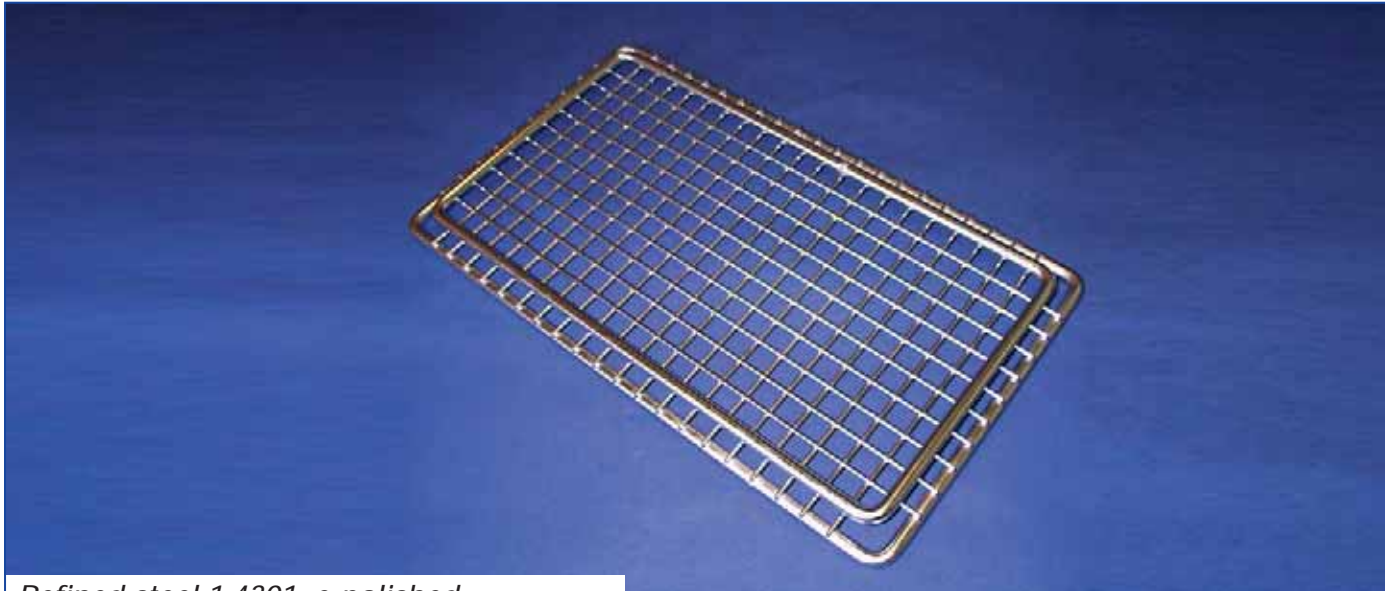
Technical Data

Standard RK-System	Inlay-Plate EB	Mesh size (mm)	Dimensions (external) LxWxH	Wire Ø (mm)	Inlay-Plate weigth (kg)	Load (kg) - even distribution over surface
RK-380/6-200	EB 380/6	6 x 6	332 x 183 x 11	2,4	0,3	40 - 50
RK-380/13-200	EB 380/13	13 x 13	327 x 177 x 11	2,4	0,49	40 - 50
RK-480/7-200	EB 480/7	7 x 7	432 x 283 x 11	2,4	0,73	50 - 60 **
RK-480/13-200	EB 480/13	13 x 13	426 x 276 x 12	3,0	0,71	50 - 60 **
RK-530/7-200	EB 530/7	7 x 7	482 x 283 x 11	2,4	0,78	50 - 60
RK-530/13-200	EB 530/13	13 x 13	476 x 276 x 12	3,0	0,77	50 - 60
RK-670/7-300	EB 670/7	7 x 7	612 x 429 x 11	2,4	1,13	70 - 80
RK-670/13-300	EB 670/13	13 x 13	606 x 423 x 12	3,0	1,09	70 - 80 **

** Available ex Stock

General tolerances on dimensions are in accordance with DIN ISO 2768c.
400 kg max load on edge of stack.

Bearing-Plate (BP)

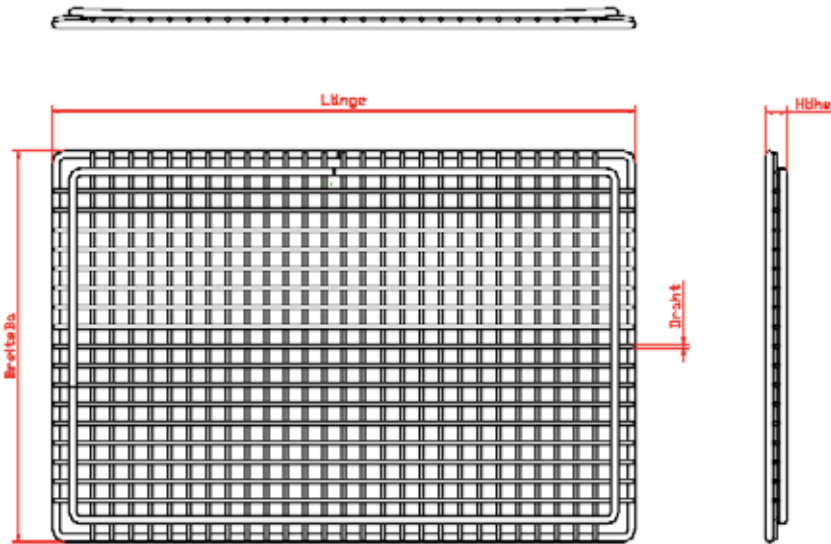


Refined steel 1.4301, e-polished

RK-Basket-System accessories

- Applicable as a border on batch side
- Very suitable for the operation in cleaning and drying machines
- Reduces cleaning-media transfer, therefore cost-saving

- Sturdy and durable wire-construction
- Available in standard design
- Special sizes and special designs on request



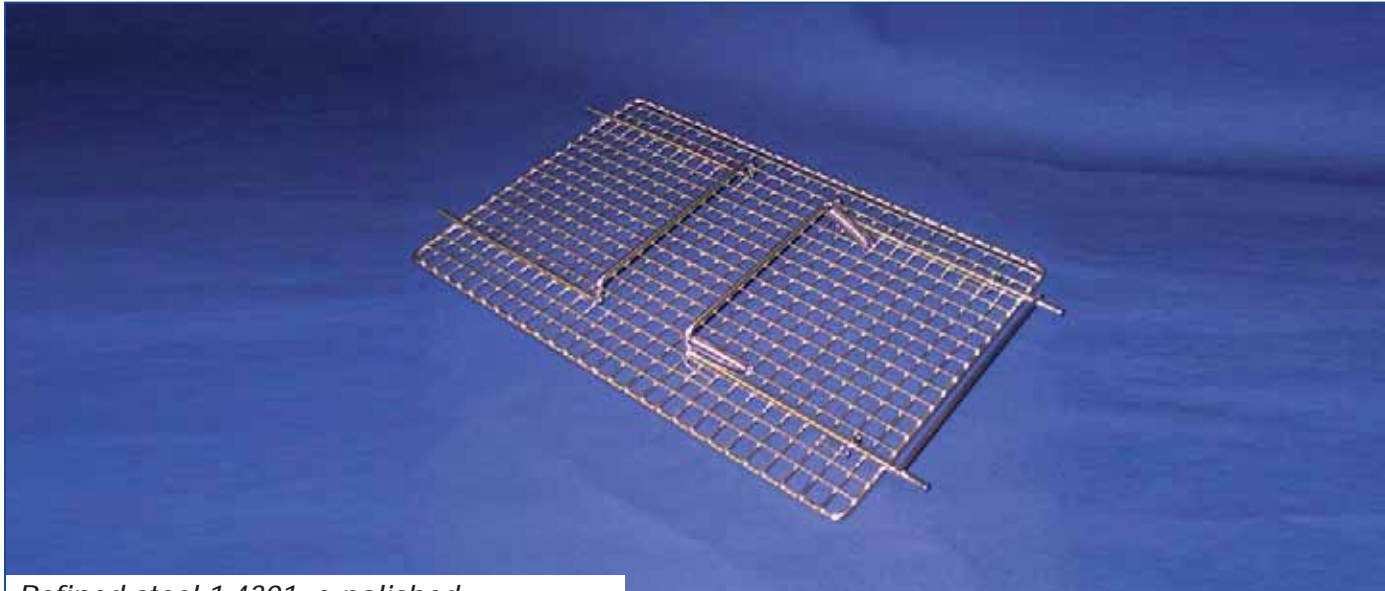
Technical Data

Standard RK-System	Bearing-Plate AD	Mesh size (mm)	Dimensions (external) LxWxH	Wire Ø (mm)	Inlay-Plate weighth (kg)	Load (kg) - even distribution over surface
RK-380/6-200	AD 380/6	6x6	332x183x17	2.4	0.50	40 - 50
RK-380/13-200	AD 380/13	13x13	327x177x17	2.4	0.50	40 - 50
RK-480/7-200	AD 480/7	7x7	432x283x17	2.4	0.73	50 - 60 **
RK-480/13-200	AD 480/13	13x13	426x276x17	3.0	0.72	50 - 60 **
RK-530/7-200	AD 530/7	7x7	482x283x17	2.4	0.77	50 - 60
RK-530/13-200	AD 530/13	13x13	476x276x17	3.0	0.76	50 - 60
RK-670/7-300	AD 670/7	7x7	612x429x17	2.4	1.15	70 - 80
RK-670/13-300	AD 670/13	13x13	606x423x17	3.0	1.10	70 - 80 **

** Available ex Stock

General tolerances on dimensions are in accordance with DIN ISO 2768c.
400 kg max load on edge of stack.

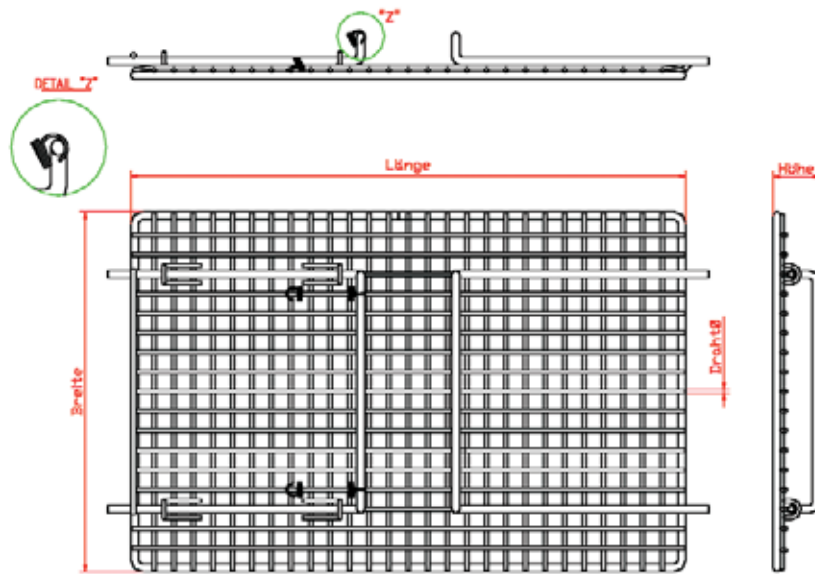
Cover-Lid (CL)



Refined steel 1.4301, e-polished

RK-Basket-System accessories

- Applicable as a cover on every height of the RK-Basket
- Reduces cleaning-media transfer, therefore cost-saving
- Very suitable for the operation in cleaning- and drying machines
- Sturdy and durable wire-construction
- Spring-driven cover function
- Available in standard design
- Special sizes and special designs on request



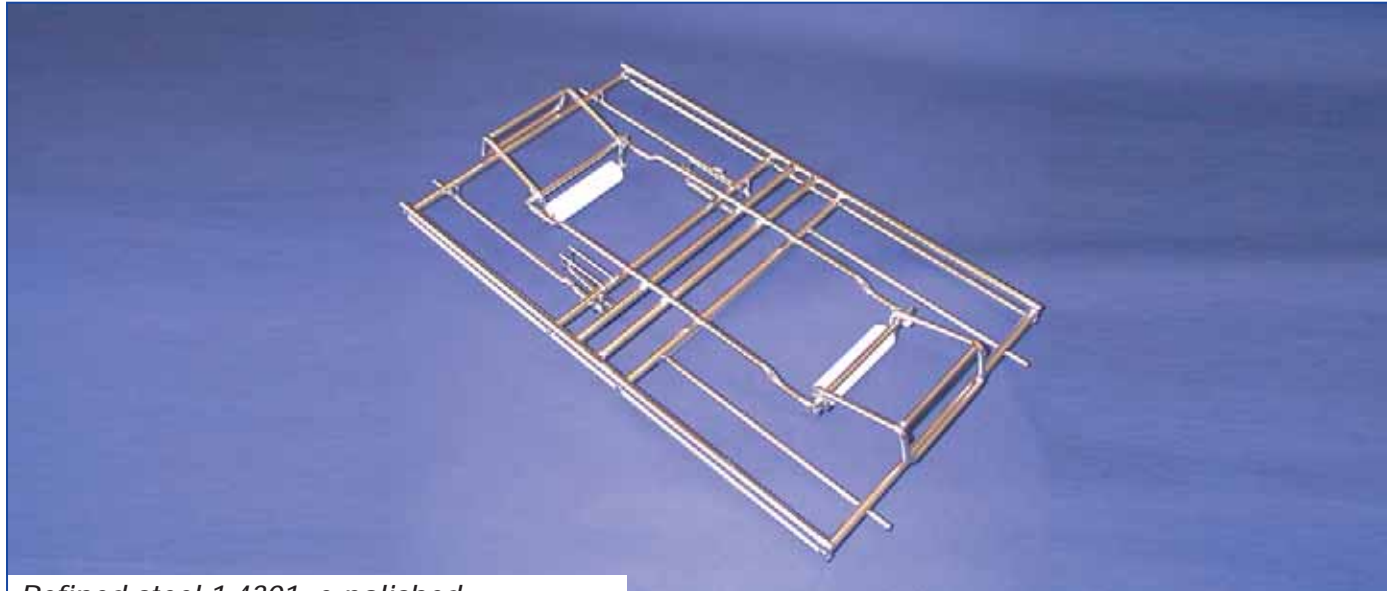
Technical Data

Standard RK-System	Cover-Lid CL	Mesh size (mm)	Dimensions (external) LxWxH	Wire Ø (mm)	Inlay-Plate weighth (kg)	Load (kg) - even distribution over surface
RK-380/6-200	VD 380/6	6x6	332x183x 36	2.4	0.50	40 - 50
RK-380/13-200	VD 380/13	13x13	327x177x 36	2.4	0.50	40 - 50
RK-480/7-200	VD 480/7	7x7	432x283x 36	2.4	0.73	50 - 60 **
RK-480/13-200	VD 480/13	13x13	426x276x 36	3.0	0.72	50 - 60 **
RK-530/7-200	VD 530/7	7x7	482x283x 36	2.4	0.77	50 - 60
RK-530/13-200	VD 530/13	13x13	476x276x 36	3.0	0.76	50 - 60
RK-670/7-300	VD 670/7	7x7	636x429x 36	2.4	1.15	70 - 80
RK-670/13-300	VD 670/13	13x13	606x423x 36	3.0	1.10	70 - 80 **

** Available ex Stock

General tolerances on dimensions are in accordance with DIN ISO 2768c.
400 kg max load on edge of stack.

Clamping-Cover (CC)



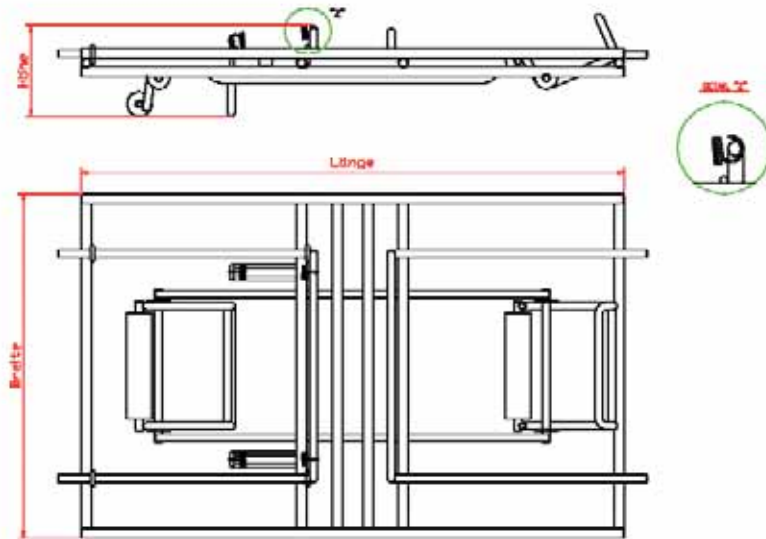
Refined steel 1.4301, e-polished

RK-Basket-System accessories

- Utilisation in combination with the Inlay-Plate
- Very suitable for the operation in cleaning- and drying-machines
- For the jamming and fixation of working-parts

- Sturdy and durable wire-construction
- Available in standard design
- Special sizes and designs on request

- Spring driven cover-function under application of a tipping-lever with bogie-runner



Technical Data

Standard RK-System	Clamping-Cover CC	Mesh size (mm)	Dimensions (external) LxWxH	Inlay-Plate weighth (kg)	Load (kg) - even distribution over surface
RK-380/13-200	SD 380/13	13x13	327x177x 70	1.50	40 - 50
RK-480/13-200	SD 480/13	13x13	426x276x 70	1.90	50 - 60 **
RK-530/13-200	VD 530/13	13x13	476x276x 70	2.00	50 - 60
RK-670/13-300	VD 670/13	13x13	606x423x 70	2.60	70 - 80 **

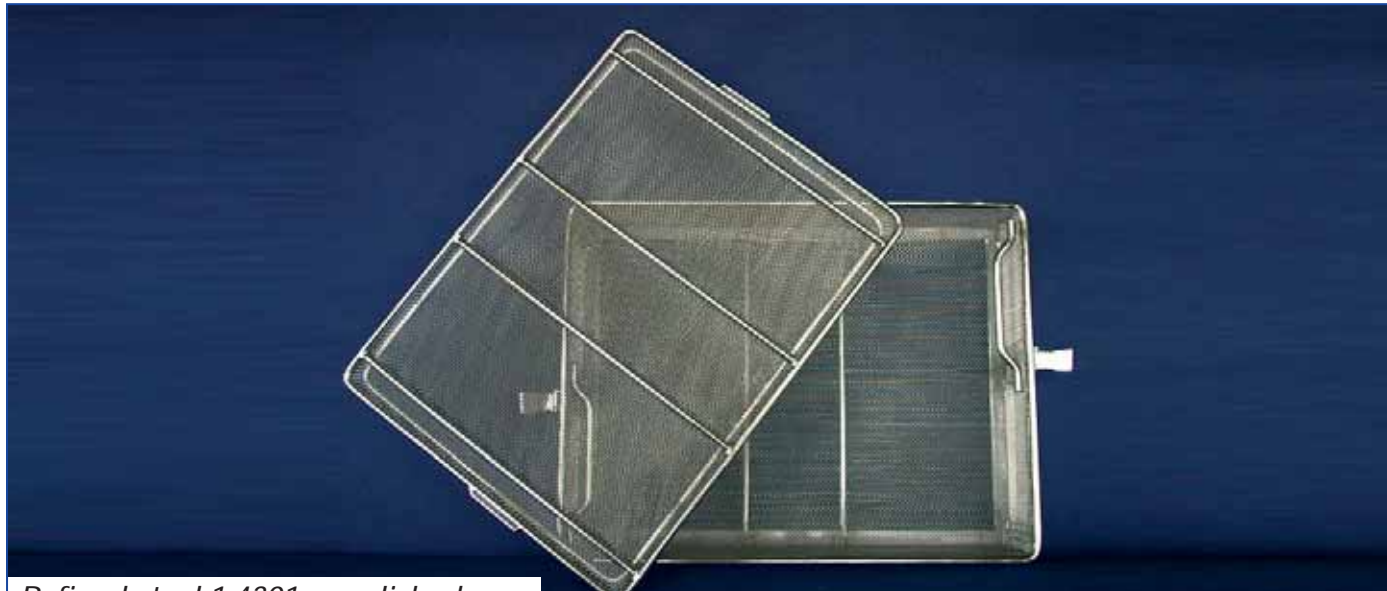
** Available ex Stock

General tolerances on dimensions are in accordance with DIN ISO 2768c.
400 kg max load on edge of stack.

Bulk Material Basket (BMB)

+ Covering

+ Shutter

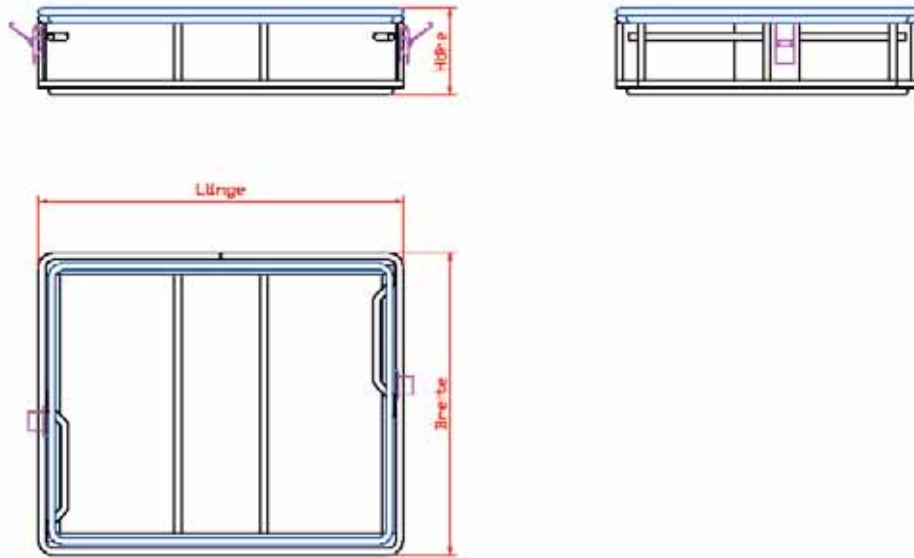


Refined steel 1.4301, e-polished

RK-Basket-System accessories

- Ideal for the application on smallest parts
- Very suitable for the application in cleaning- and drying-machines
- Sturdy and durable wire construction
- Multi-purpose applicable
- Can be piled to arbitrary height

- Available in standard design
- Special sizes and designs on request



Technical Data

Standard RK-System	Clamping Cover CC	Dimensions (exterior) L x W x H
RK-480/13-200	SGK 480-1/1 DV	424 x 274 x 120
RK-480/13-200	SGK 480-1/2 DV	424 x 274 x 60
RK-480/13-200	SGK 480-2/1 DV	274 x 210 x 120
RK-480/13-200	SGK 480-2/2 DV	274 x 210 x 60
RK-480/13-200	SGK 480-8/1 DV	135 x 105 x 120
RK-480/13-200	SGK 480-8/2 DV	135 x 105 x 60
RK-480/13-200	SGK 480-16/2 DV	105 x 67 x 60

Available in Mesh size 1 mm bis 10 mm

** Available ex Stock

General tolerances on dimensions are in accordance with DIN ISO 2768c.
400 kg max load on edge of stack.

System-small-part-riddle 1/8

Function

For the attachment of small parts in cleaning machines or ultrasonic vessels.

For the protection of the working pieces small-part-riddles with cover are available.

Design

Chromium-nickel-steel 18/10, material 1.4301, e-polished, handled free of burr.



Dimensions/Design

Small-part-riddles: 121 x 121 x 28 mm . . . CNS 18/10 . . . mesh-size 1 x 1 x 0,5 mm
121 x 121 x 28 mm . . . CNS 18/10 . . . mesh-size 2,5 x 2,5 x 0,7 mm
121 x 121 x 46 mm . . . CNS 18/10 . . . mesh-size 2,5 x 2,5 x 0,7 mm

Covering: 121 x 121 x 7 mm CNS 18/10 . . . mesh-size 1 x 1 x 0,5 mm
121 x 121 x 7 mm CNS 18/10 . . . mesh-size 2,5 x 2,5 x 0,7 mm

System-small-part-riddle 1/4

Function

For the attachment of small parts in cleaning machines or ultrasonic vessels.

For the protection of the working pieces small-part-riddles with cover are available.

Design

Chromium-nickel-steel 18/10, material 1.4301, e-polished, handled free of burr.



Dimensions/Design

Small-part-riddles 236 x 121 x 28 mm . . . CNS 18/10 . . . mesh-size 1 x 1 x 0,5 mm
236 x 121 x 28 mm . . . CNS 18/10 . . . mesh-size 2,5 x 2,5 x 0,7 mm
236 x 121 x 46 mm . . . CNS 18/10 . . . mesh-size 2,5 x 2,5 x 0,7 mm

Covering 236 x 121 x 7 mm CNS 18/10 . . . mesh-size 1 x 1 x 0,5 mm
236 x 121 x 7 mm CNS 18/10 . . . mesh-size 2,5 x 2,5 x 0,7 mm

Longitudinal pitch 223 x 20 x 7 mm CNS 18/10 . . . mesh-size 1 x 1 x 0,5 mm
223 x 40 x 7 mm CNS 18/10 . . . mesh-size 2,5 x 2,5 x 0,7 mm

Various supplement parts and accessories for the completion and handling of all sorts of technological system-requirements are in process.

System-small-part-riddle 1/2

Function

For the attachment of small parts in cleaning machines or ultrasonic vessels.

For the protection of the working pieces small-part-riddles with cover are available.



Design

Chromium-nickel-steel 18/10, material 1.4301, e-polished, handled free of burr.

Dimensions/Design

Small-part-riddles	236 x 236 x 28 mm . . . CNS 18/10 . . . mesh-size 1 x 1 x 0,5 mm
	236 x 236 x 28 mm . . . CNS 18/10 . . . mesh-size 2,5 x 2,5 x 0,7 mm
	236 x 236 x 46 mm . . . CNS 18/10 . . . mesh-size 2,5 x 2,5 x 0,7 mm
Covering	236 x 236 x 7 mm CNS 18/10 . . . mesh-size 1 x 1 x 0,5 mm
	236 x 236 x 7 mm CNS 18/10 . . . mesh-size 2,5 x 2,5 x 0,7 mm

Various supplement parts and accessories for the completion and handling of all sorts of technological system-requirements are in process.

Definitions

Bulk Goods Basket

SGKT 480/1/2/2/SDC

SGKT	480	1	2	2	SDC
Internal Code	Basket size	Base	Height	Mesh size	with lid Camloc seal
Bulk Goods basket With deep-drawn wire mesh	Range 380 480 530 670 608	1 = full base 2 = half base 4 = quarter base	1 = full hight 2 = half hight	1 = MS 1x1x Ø 0.5 mm 2 = MS 2x2x Ø 1.0 mm 3 = MS 3x3x Ø 1.0 mm 4 = MS 4x4x Ø 1.0 mm 5 = MS 5x5x Ø 1.0 mm	S = Basket SD= Basket with lid SDC= Basket with lid and Camloc seal



Bulk Goods Basket (SKGT)

+ Lid

+ Seal



Stainless steel 1.4301, e-polished

NEW!

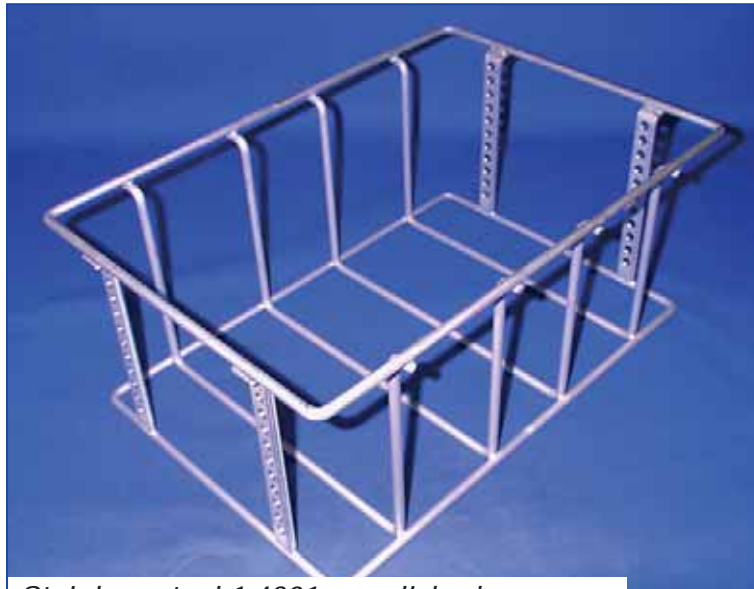
RK-Basket-System accessories

- Ideal for use with tiny parts
- Superbly adapted for use in cleaning and drying systems
- Robust long life wire construction
- Usable everywhere
- Can be stacked as high as required
- Available in standard designs as full, half or quarter basket
- Special sizes and designs on request

- In deep-drawn mesh design (mesh size 1 x 1 to 10 x 10 mm)
- Mesh protected by dual frame design
- With large corner and base radii, therefore no dead corners formed
- Edged with stable wire frame
- Centring of lid via exterior clips

German Utility Model Nr. 202005002436.8

Modular carrier frame FG-Serie



Stainless steel 1.4301, e-polished

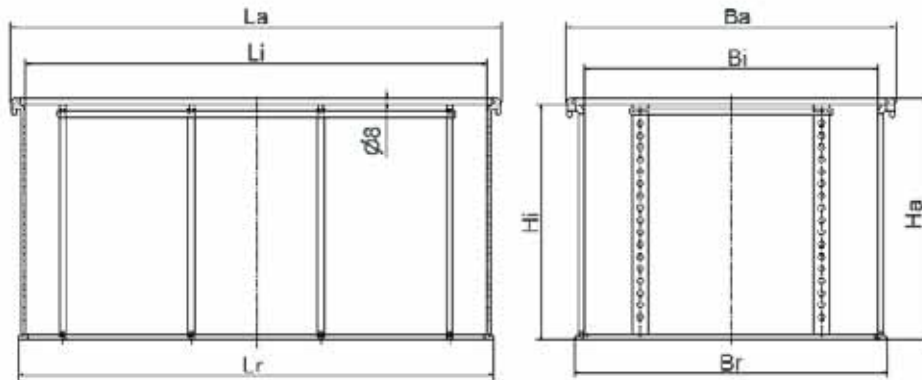


RK-Basket-System for bulk materials or individual items

- Universal adjustable carrier frame
- The best solution for use in cleaning- and drying-systems
- Completely open construction to accommodate bulk material baskets, part carriers or for fixed racks
- With smallest possible screening and optimal disposal of cleaning fluid
- Height adjustable shelving by perforated frame
- Compatible with all common sheet metal-, wire-, and mesh-baskets
- Robust wire construction
- Available in standard design
- Special sizes and special designs on request

For use with the following standard accessories:

- Loose-Cover (AD) • Bearing-Plate (BP) • Cover-Lid (CL) • Inlay-Plate (EB) • Clamping-Cover (CC)



Technical Data

Standard RK-System	Dimensions (exterior) L x W x H	Dimensions (interior) L x W x H	Dimensions (edge of stack) L x W x H	Volume (litre)	Basket weight	Load (kg) - even distribution over surface
FG-380/200	371 x 221 x 200	334 x 185 x 180	352 x 203	11.1	3.7	40 - 50
FG-480/200	471 x 321 x 200	434 x 285 x 180	452 x 303	22.2	4.9	50 - 60 **
FG-530/200	521 x 321 x 200	484 x 285 x 180	501 x 301	24.85	3.2	50 - 60
FG-670/300	651 x 471 x 300	616 x 429 x 282	631 x 451	80.25	8.3	70 - 80
FG-608/300	608 x 408 x 300	573 x 363 x 282	589 x 387	58.7	7.8	70 - 80

** Available ex Stock

General tolerances on dimensions are in accordance with DIN ISO 2768c.
150 kg max load on edge of stack.

Partition rod - spring loaded

Function

As a flexible sub-division of wire baskets with mesh size 13 x 13 mm.
To construct partitions or fix large parts in longitudinal and lateral directions (horizontal).

Finish

Nickel chrome steel 18/10, material 1.4301.
With internal compression spring.

Dimensions:

- Ø 10.0 mm
- various lengths (see list)



Partition rod - rigid

Function

As a fixed sub-division of wire baskets with mesh size 13 x 13 mm.
Fixing done using washer and hex nut, also supplied.
To construct partitions or fix large parts in longitudinal and lateral directions or as a pointed rod.
Horizontal und vertical.

Finish

Nickel chrome steel 18/10, material 1.4301

Dimensions:

- Ø 10.0 mm
- various lengths (see list)



System marking for labels

Function

System-marking for the admission of replaceable label describing.
Attachment over Federclipse at the lattice.
Removable.

Execution

Stainless steel 1.4301
e-polished, burr-free processes

Dimension 88 x 17 x 57 mm

Article number . . 22.216.4001



System marking for labels

Function

System-marking for the admission of replaceable label describing.
Attachment over welding embossments at the lattice.
Not removable.

Execution

Stainless steel 1.4301
e-polished, burr-free processes

Dimension 88 x 17 x 57 mm

Article number . . 22.216.4008



RK-Workpiece-Holder



Refined steel 1.4301, e-polished/steel surface treated

RK-Workpiece-Holder for various requirements

- Construction according to the clients requirements
- Development of solutions together with the client
- Very suitable for the application in cleaning- and drying-machines
- Ideal for the application in automated manufacturing sequences

- The wire-construction reduces cleaning-media transfer, therefore cost-saving
- Sturdy wire/wire-sheet-metal-construction

Competence and Know-how

Our watertight quality management system is a crucial cornerstone of our success. In all areas in our company, we attach great importance to compliance with standards, with DIN ISO 9001 as a minimum requirement. This encompasses the entire manufactu-

ring process, from the supply of raw materials to the point at which the finished product leaves our works.

The result: you receive safe, high-quality metal products from the Kögel company.

