

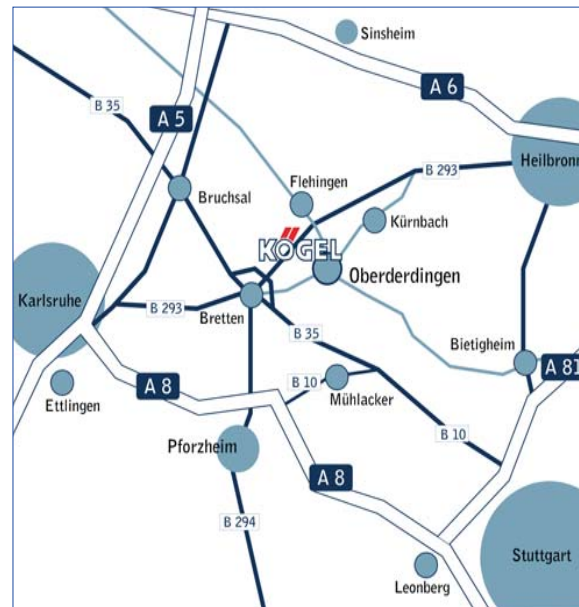
„As a reliable partner we accompany our customers and their products from the idea to production stage.“



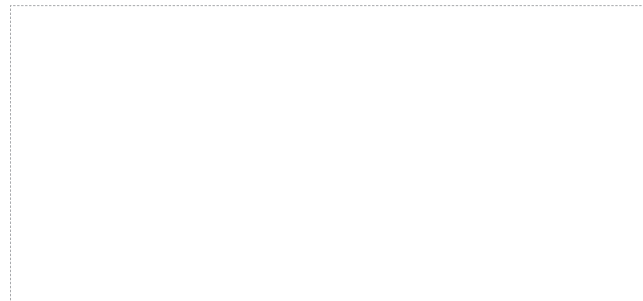
**Metallverarbeitung Kögel GmbH**  
 Hagenfeldstraße 4 · 75038 Oberderdingen  
 Tel. 0 70 45/982 - 0 · Fax 0 70 45/982 - 22  
 www.mk-koegel.de · info@mk-koegel.de



Your way to us



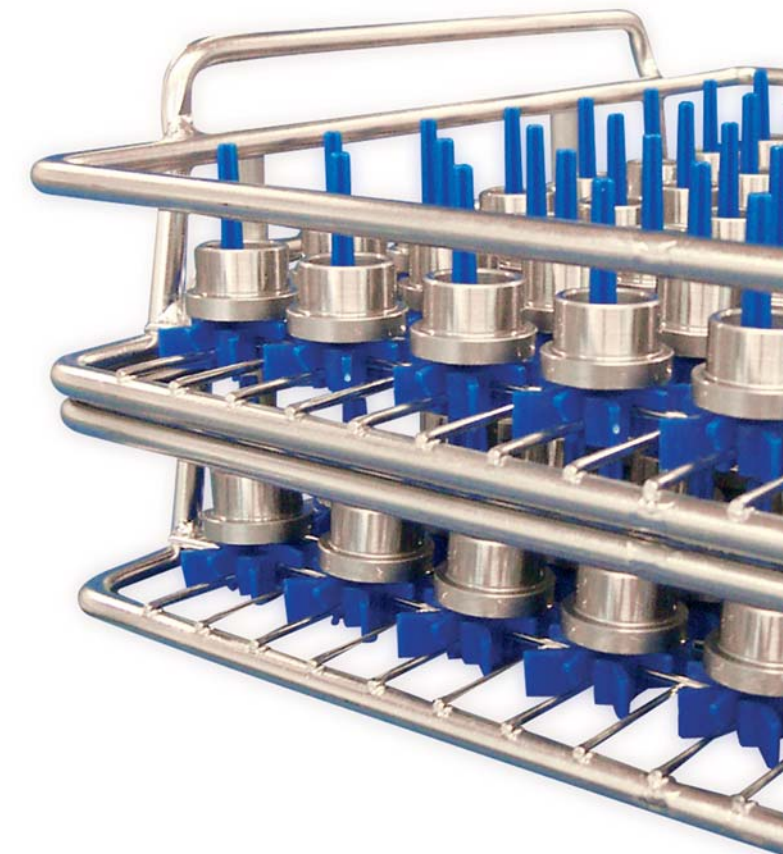
Our business-partner



Stand: 01/06

Registered design

**Intelligent workpiece carrier  
 for your cleaning technology**

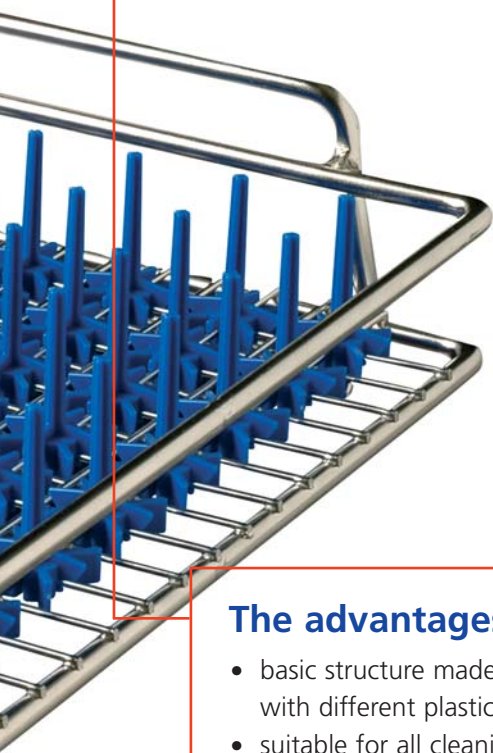


PRK-CLIPSYSTEM

# Workpiece carrier with system

The scope of our customers means a permanent challenge for new developments. For constantly growing requirements at workpiece carriers Koegel developed an economical system, which connects the advantages of stainless steel and plastic.

The RK Clip-System is a modular developed workpiece carrier system that enables the absolutely careful attachment of your products by means of differently formed tie-clips. The carriers are being placed loosely into available cleaning containers. By the basic structure these carriers form the topping of the next ply simultaneously.



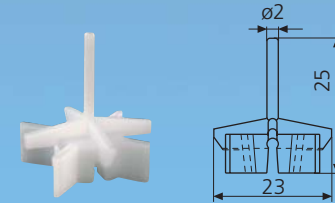
## The advantages on one view

- basic structure made of stainless steel 1.4301
- suitable for all cleaning methods and media
- optimized attachment array
- absolutely careful workpiece handling
- cost reduction by large variability
- best flushing
- open construction for DIN and euro-sizes
- special dimension on request

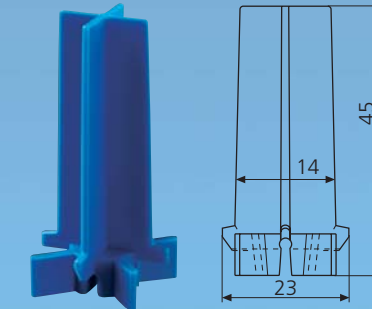


## Standard-program -- individual design available on request

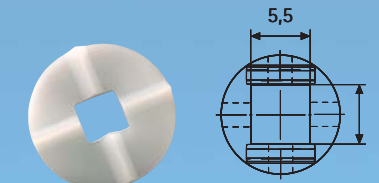
Palletizing pin  
item no. 22.579.0000



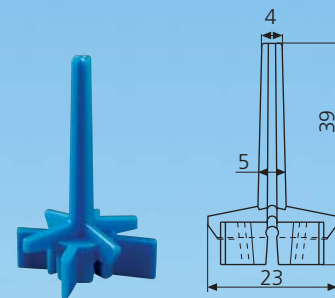
Palletizing pin  
item no. 22.579.0040  
• in development



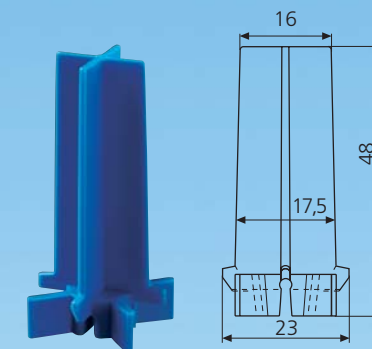
Tie-clip  
item no. 22.579.0080



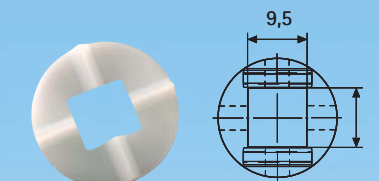
Palletizing pin  
item no. 22.579.0010



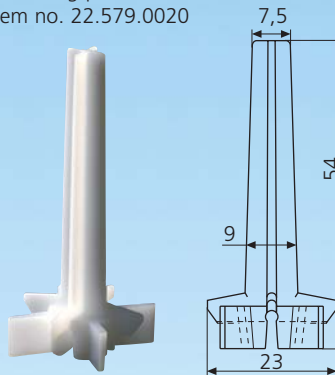
Palletizing pin  
item no. 22.579.0050



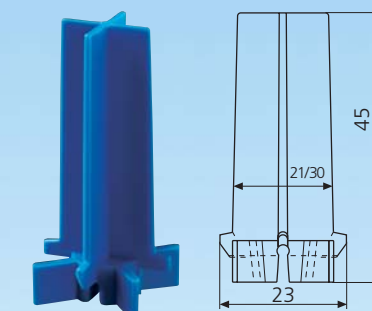
Tie-clip  
item no. 22.579.0090



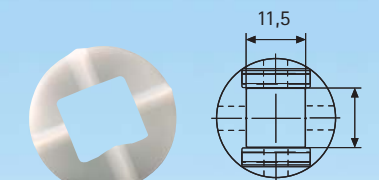
Palletizing pin  
item no. 22.579.0020



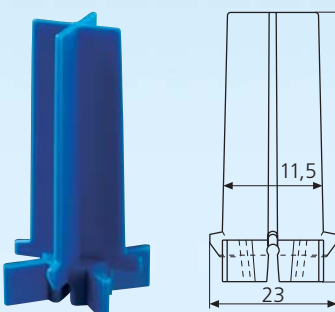
Palletizing pin  
item no. 22.579.0060  
• in development



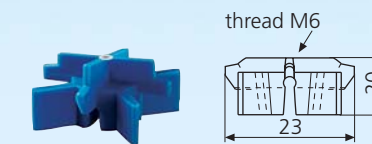
Tie-clip  
item no. 22.579.0100



Palletizing pin  
item no. 22.579.0030  
• in development



Thread tie-clip  
item no. 22.579.0070  
• in development



We manufacture further forms and dimensions according to your individual requirements.

